



NU-KOOL CP



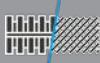
NU-KOOL CP



Radiant Heat Protection



Reflective Sleeving & Heat Shield



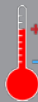
Corrugated pipe



Glass fiber fabric
Aluminized foil



Standard: Silver



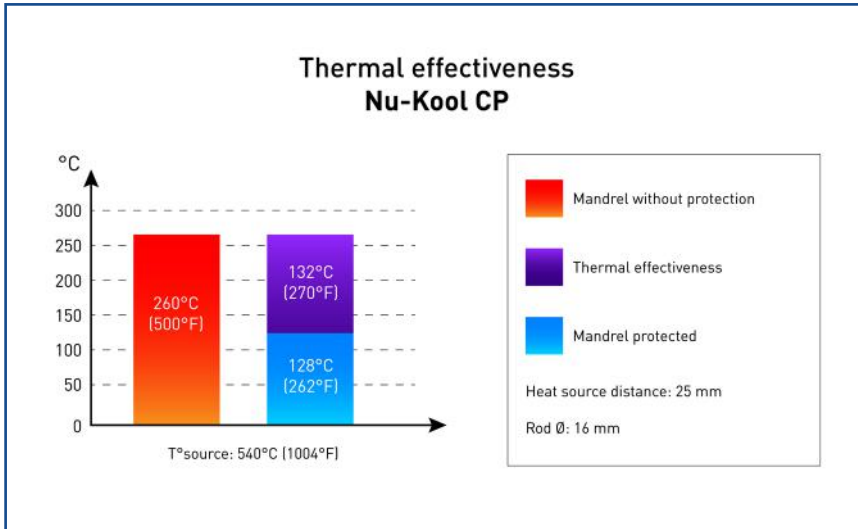
Low: -40°C (-40°F)
High: 250°C (482°F)



Self-locked by crimping

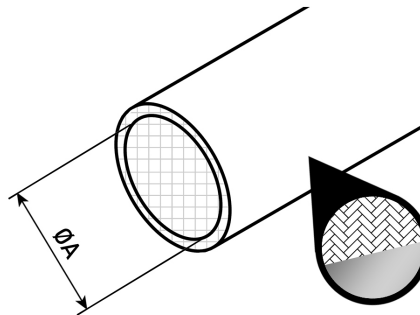
PHYSICAL PROPERTIES

Physical properties	Spec	Value
Thermal effectiveness	SAE J2302	see graph
Long term aging (3000h/250°C)	-	pass
Flammability	FMVSS 302	non flammable
Chemical resistance	Resists the majority of chemicals and automotive fluids	



DIMENSIONS

Designation	Nominal A Ø (mm)
NU-KOOL CP AL 08	8
NU-KOOL CP AL 10	10
NU-KOOL CP AL 12	12
NU-KOOL CP AL 12.5	12.5
NU-KOOL CP AL 14	14
NU-KOOL CP AL 15	15
NU-KOOL CP AL 16	16
NU-KOOL CP AL 18	18
NU-KOOL CP AL 20	20
NU-KOOL CP AL 22	22
NU-KOOL CP AL 24.5	24.5
NU-KOOL CP AL 26.5	26.5
NU-KOOL CP AL 28	28
NU-KOOL CP AL 30	30
NU-KOOL CP AL 32	32
NU-KOOL CP AL 34	34
NU-KOOL CP AL 38.5	38.5
NU-KOOL CP AL 40	40
NU-KOOL CP AL 42	42
NU-KOOL CP AL 47	47
NU-KOOL CP AL 50	50



PACKAGING

Coils
Cut lengths upon request